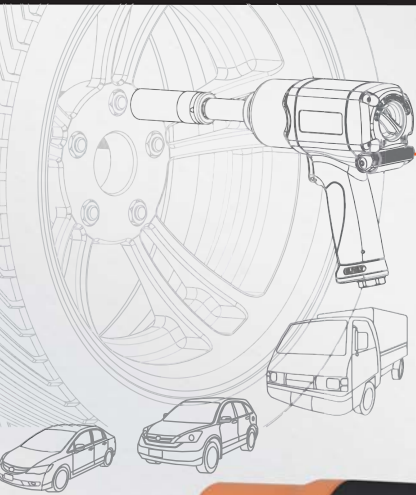


ECD Impact Wrench



- **Easy Change Direction in Forward and Reverse**
- **Composite and lightweight**
- **Feather trigger for smooth operation**
- **Reference tightening torque for easy use**

4-step Torque Setting



24280
1/2" (Max. 650 ft-lb)



24280L (2" Anvil)
1/2" (Max. 650 ft-lb)

Short Profile 114 mm



1.1 kgs Only !

Mini 3/8" Mini 1/2"
23238 24238

Twin Hammer Clutch

- Composite Housing
- Mini, compact and high torque
- **114 mm short profile**, ideal for very restricted areas !
- 3 forward settings with full reverse powerstarting.



Easy Change Direction in Forward and Reverse

Ideal for very restricted areas !



B-24238K

- 1 x 1/2" Stubby Impact Wrench (24238)
- 3 x Deep Sockets (75 mm) : 17, 19 & 21 mm
- 8 x **Short** Sockets (28 mm) : 14, 15, 16, 17, 19, 21, 22 & 24 mm
- 1 x 3" Extension Bar
- 1 x Oiler
- 1 x Blow Mould Case

Item No.	Speed RPM	Square Drive	Max. Torque Nm/ft-lb	Length mm/inch	Weight kg/lb	Air Consumption LPM / CFM	Air Inlet inch	Vibration m/s ²	Noise Level LpA / LwA	Working Pressure Bar / PSI
24280	7,500	1/2"	880 (650)	197 (7.8)	2.2 (4.8)	132 (4.6)	1/4	5.76	86.4 / 97.4 DB	6.2 (90)
24280L	7,500	1/2"	880 (650)	248 (9.8)	2.3 (5.0)	132 (4.6)	1/4	5.34	86.4 / 97.4 DB	6.2 (90)
23238	10,000	3/8"	434 (320)	114 (4.5)	1.1 (2.4)	136 (4.8)	1/4	7.48	84.6 / 95.6 DB	6.2 (90)
24238	10,000	1/2"	816 (600)	114 (4.5)	1.1 (2.4)	136 (4.8)	1/4	7.48	84.6 / 95.6 DB	6.2 (90)