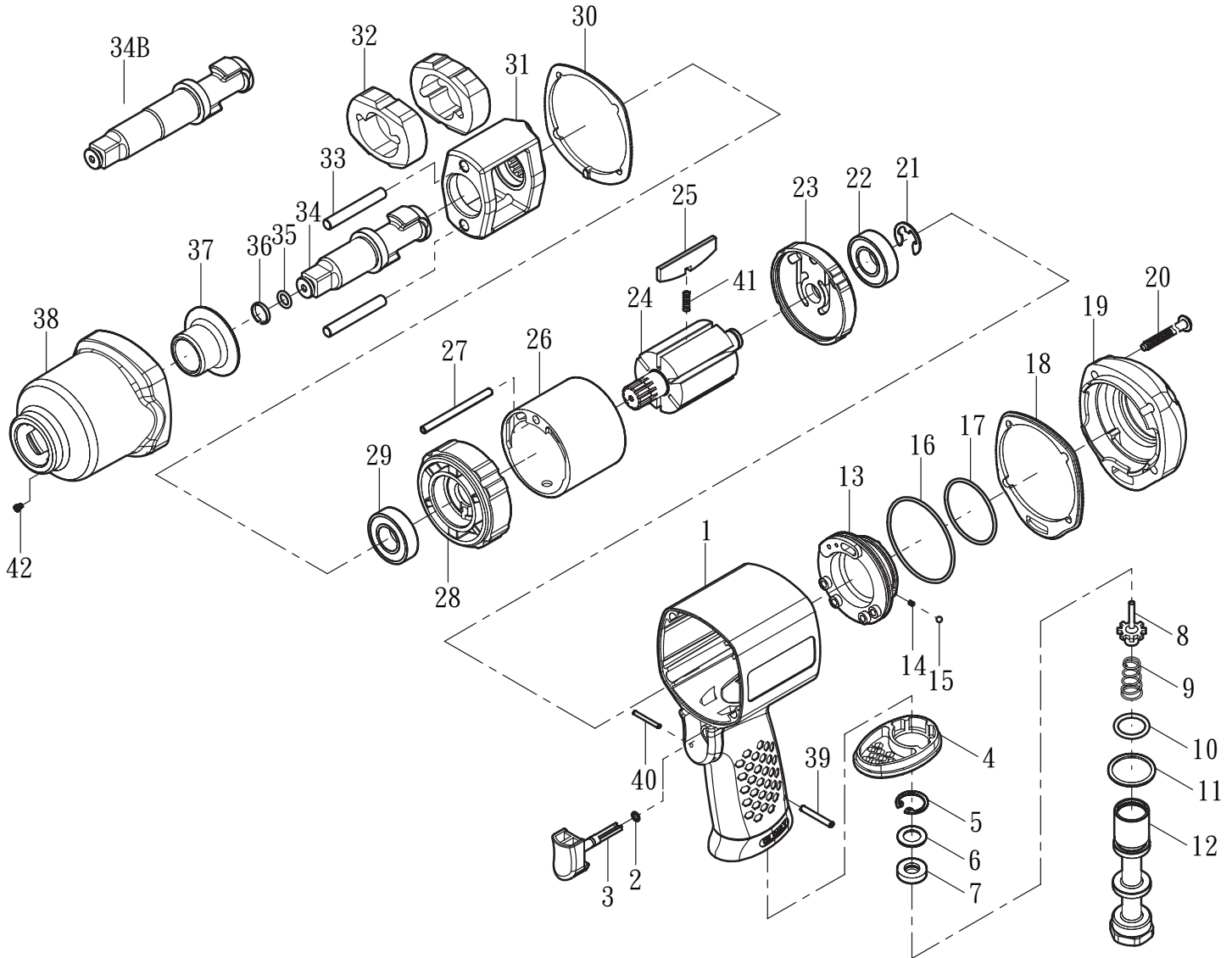


Technical Details	Speed	Square Drive	Max. Torque	Length	Weight	Air Consumption	Air Inlet	Noise (DB)	Uncertainty (DB)	Vibration	Working Pressure
	RPM		Nm/ft-lb	mm/inch	kg/lb	LPM / CFM	inch	LpA LwA	KpA KwA	m/s <sup>2</sup>	Bar / PSI
<b>24204</b>	8,500	1/2	1140 (840)	190 (7.5)	2.1 (4.6)	132(4.6)	1/4	90.9 101.9	3	8.11	6.3(90)
<b>24204L</b>				241 (9.5)	2.2 (4.84)					7.58	



Index No.	Description	Quantity	Index No.	Description	Quantity	Index No.	Description	Quantity
01	Housing	1	16	O-Ring	1	31	Hammer Cage	1
02	O-Ring	1	17	O-Ring	1	32	Hammer	2
03	Trigger	1	18	Packing	1	33	Hammer Pin	2
04	Exhaust Deflector	1	19	Cover	1	34	Anvil	1
05	Retaining Ring	1	20	Screw	4	34B	2" Anvil	1
06	Washer	1	21	E-Ring	1	35	O-Ring	1
07	Oil Seal	1	22	Ball Bearing	1	36	Anvil Collar	1
08	Pin Valve Rod	1	23	Rear Plate	1	37	Bushing	1
09	Cone Spring	1	24	Rotor	1	38	Front Casing	1
10	O-Ring	1	25	Blade	7	39	Spring Pin	1
11	Washer	1	26	Cylinder	1	40	Spring Pin	1
12	Air Inlet	1	27	Spring Pin	1	41	Spring	7
13	Reverse Lever	1	28	Front Plate	1	42	Oil Drop	1
14	Spring	1	29	Ball Bearing	1			
15	Steel Ball	1	30	Packing	1			